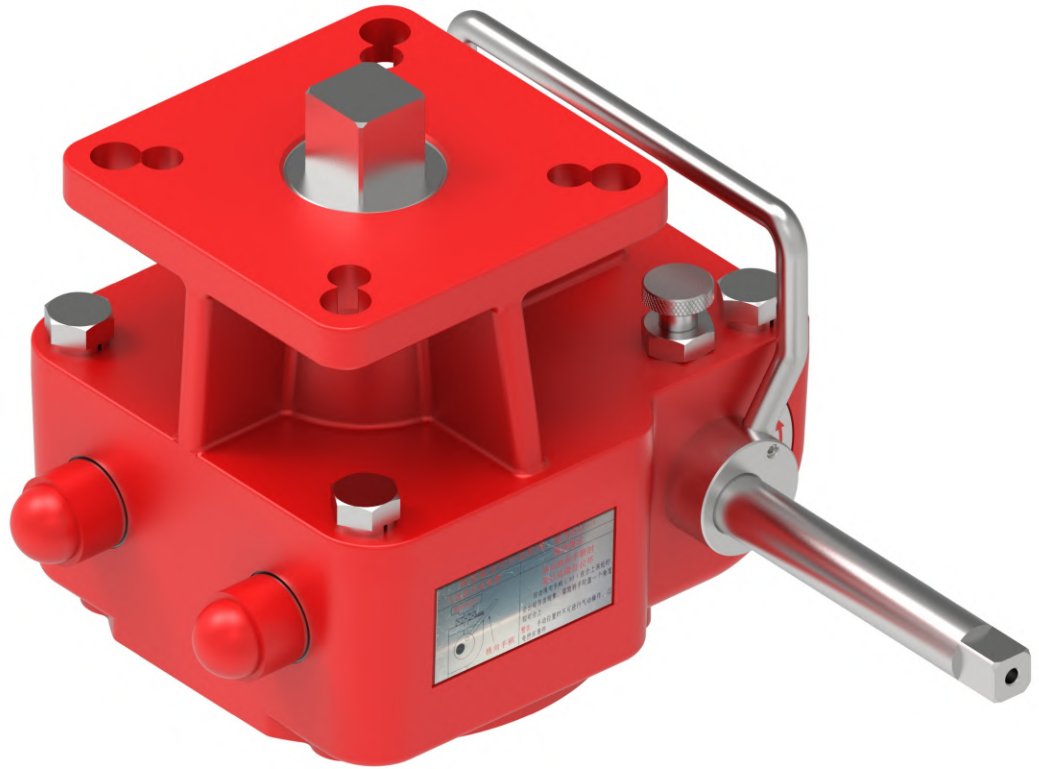


Autorun

Autorun[®] Control

Intelligent Process Control
Build A Quality



M SERIES

铝合金手轮机构

MANUAL CLUTCH



离合式手动机构主要应用 Main application manual clutch

公司产品应用于石油，化工，医药，水处理，电厂，核电等场所，用于90°开启的球阀，蝶阀，旋塞阀等阀门配套使用，我公司所供应的手动机构还可以根据客户使用要求对产品的速比，使用温度，防护等级，防腐等级进行调整定制。公司立足国内，面向国际市场，客户主要来自中东、欧美等国外知名阀门企业。

The company's products are used in petroleum, chemical, pharmaceutical, water treatment, power plants, nuclear power and other places, for 90 degrees open ball valves, butterfly valves, plug valves and other valves supporting the use of the company's supply of manual clutch can also be used according to customer requirements on the product speed ratio, use temperature, protection level, anti-corrosion level. Adjust customization. The company is based on domestic and international markets, Customers mainly from the Middle East, Europe and the United States and other well-known foreign valve enterprises

产品主要用途 Main uses of products

本手动机构与气动执行器装配联合使用，用于90°开启的蝶阀、球阀等实现手动或气动驱动。

The manual clutch is combined with the pneumatic actuator assembly to realize manual or pneumatic drive for butterfly valves, ball valves, etc. which are opened at 90° degrees.

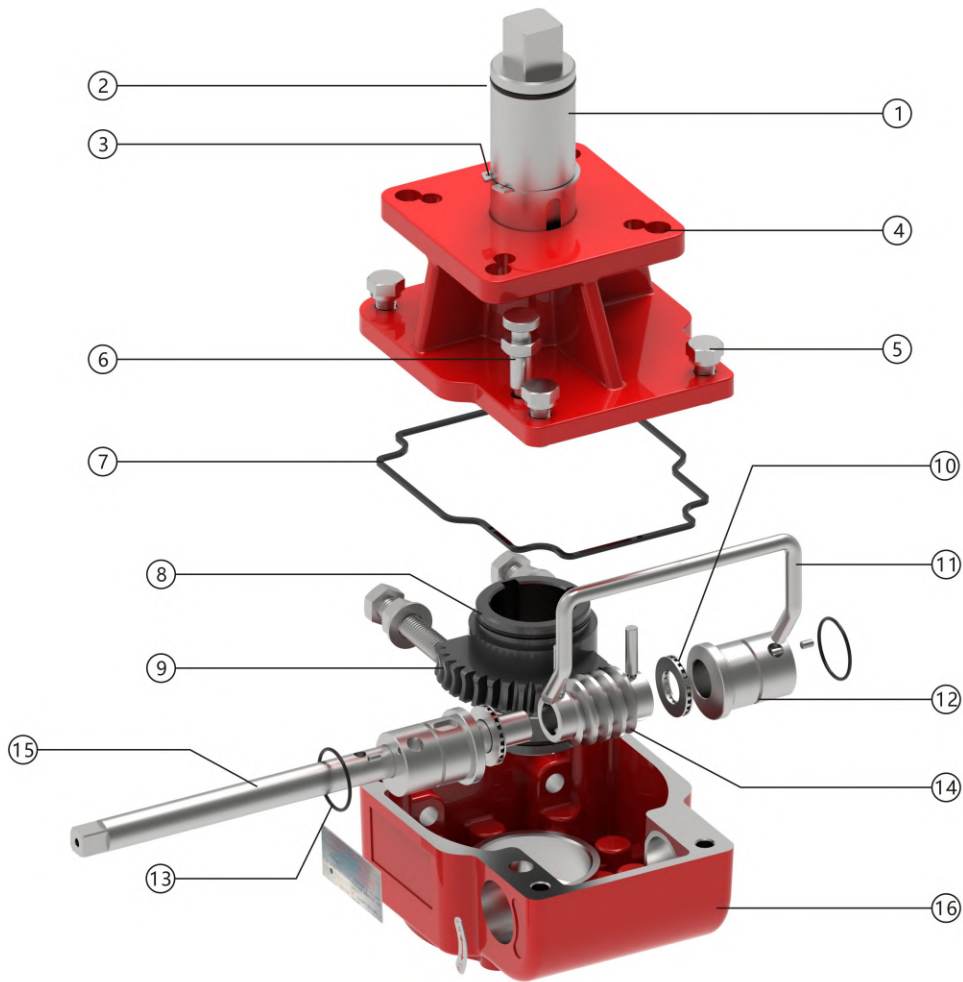
特点 Characteristic

1. 体积小、重量轻、设计合理、样式新颖。
2. 产品系列化，输出扭矩与气动装置各种阀门匹配。
3. 涡轮连接内孔有相隔90°的两个键槽，以使用户根据需要选择装置同阀门的相对位置。
4. 提起限位拉环，旋转偏心装置90°限位销自动限位，实现气动，反之实现手动。
5. 产品出厂时，装有专用润滑脂，与阀装配后，整体密封防尘防水防护等级IP65，IP67，IP68可选。

1. It is small in size, light in weight and reasonable in design
2. Products are serialized and output torque is matched with pneumatic devices
3. Turbine connection holes have two keyways 90 degrees apart so that users can choose the relative position of the device with the valve according to their needs
4. Lifting the limit pulling ring, rotating the eccentric device 90 degree limit pin automatic limit, to achieve pneumatic, otherwise to achieve manual
5. Product factory, equipped with special grease, and valve assembly, the overall seal, dust-proof, waterproof, protection grade IP65, IP67. IP68 optional

技术参数 Technical parameters

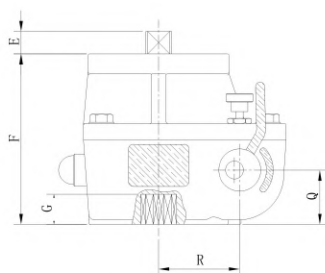
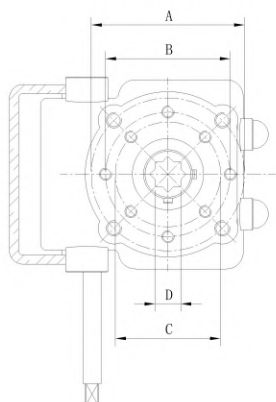
型号 Model	执行器配置 Configuration of actuator		ISO05211标准法兰 Standard flange				手轮直径 Handwheel diameter	速比 Speed ratio	扭矩 N.m
			阀门连接 Connecting dimensions of valves		执行器连接 Connecting dimensionsof actuate				
	AT双作用(DA) AT Double action(DA)	AT单作用(SR) AT Spring return(SR)	中心距 Center distance	轴孔 Alxe hole	中心距 Center distance	轴孔 Alxe hole			
M-0	DA50-83	SR50-75	F05/F07	14*14	F05/F07	14*14	140	24:1	160
M-1	DA83-92	SR75-83	F05/F07	14×14	F05/F07	14×14	180	38:1	180
M-2	DA100-125	SR88-105	F07/F10	17×17	F07/F10	17×17	200	37:1	320
M-3	DA125-145	SR115-125	F07/F10/F12	22×22	F10/F12	22×22	280	35:1	680
M-4	DA160-190	SR145-160	F10/F12 or F14	27×27	F10/F12 or F14	27×27	320	50:1	1200
M-5	DA210-240	SR190-210	F14 or F16	36×36	F14 or F16	36×36	400	54:1	2100
M-6	DA240-270	SR210-240	F16	46×46	F16	46×46	500	58:1	3000
M-7	DA270-300	SR240-270	F16/φ200	46×46	F16/φ200	46×46	600	66:1	3800



主要零部件材料 Main components and materials

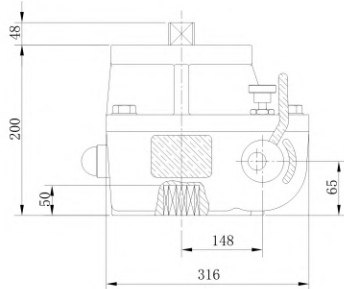
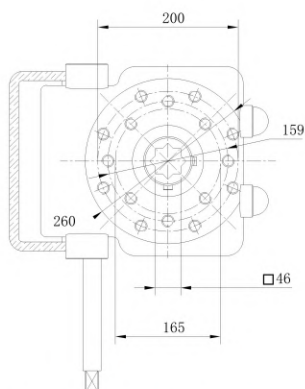
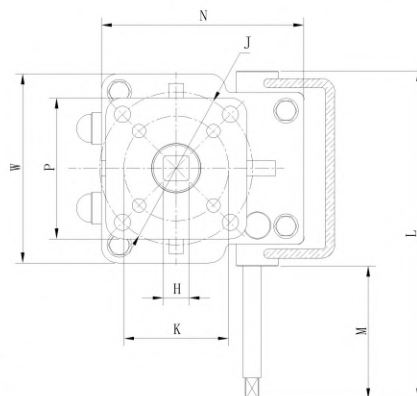
序号 NO.	名称 Name	材料 Material Scienc	序号 NO.	名称 Name	材料 Material Scienc
1	传动主轴 Drive spindle	合金钢 Alloy steel	9	蜗轮 Worm gea	球墨铸铁 Spheroidal graphite cast iron
2	密封圈 seal ring	丁腈橡胶 Nitrile rubber	10	平面轴承 Plane bearing	合金钢 Alloy stee
3	卡簧 Reed spring	不锈钢(304) Stainless steel(304)	11	手柄 Handle	不锈钢(304) Stainless steel(304)
4	上盖 Upper cover	铝合金 Aluminium alloy	12	偏心套 Eccentric sleeve	合金钢 Alloy steel
5	紧固件 Afastening	不锈钢(304) Stainless steel(304)	13	密封圈 Seal ring	丁腈橡胶 Nitrile rubber
6	定位销 Positioning pin	合金钢 Alloy steel	14	蜗杆 Worm	合金钢 Alloy steel
7	密封圈 Seal ring	丁腈橡胶 Nitrile rub ber	15	传动杆 Transmission rod	合金钢 Alloy steel
8	密封圈 Seal ring	丁腈橡胶 Nitrile rubber	16	箱体 Box	铝合金 Aluminium alloy

阀门连接尺寸
Connecting dimensions of valves

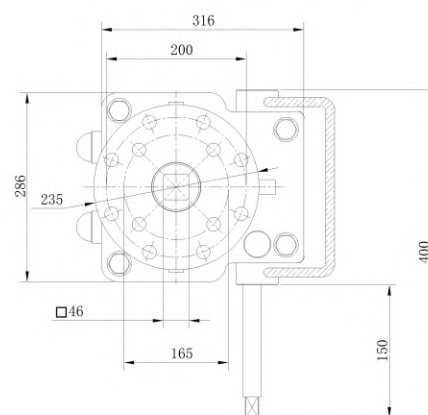


M-0~M-6尺寸图 Size diagram

气缸连接尺寸
Connecting dimensions of actuate



M-7尺寸图 Size diagram

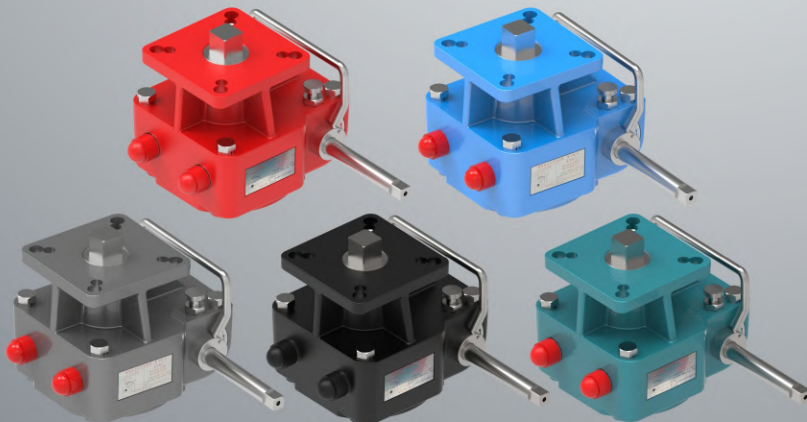
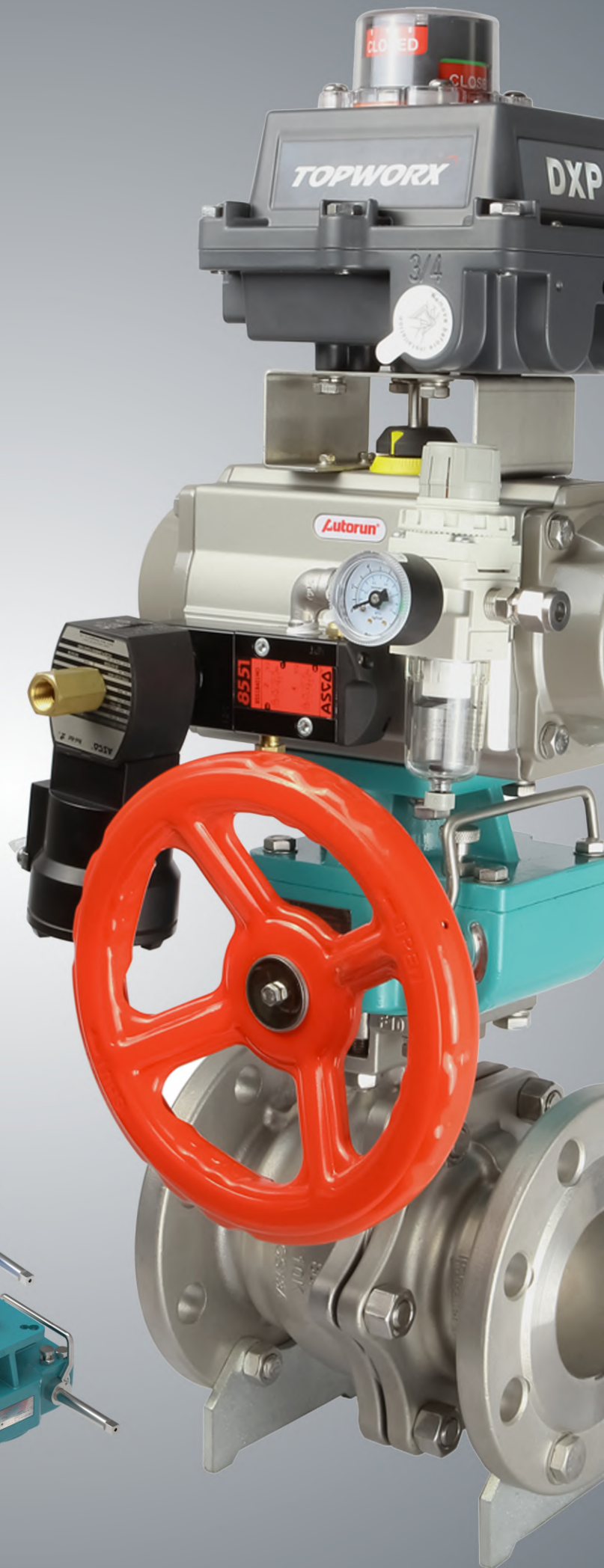
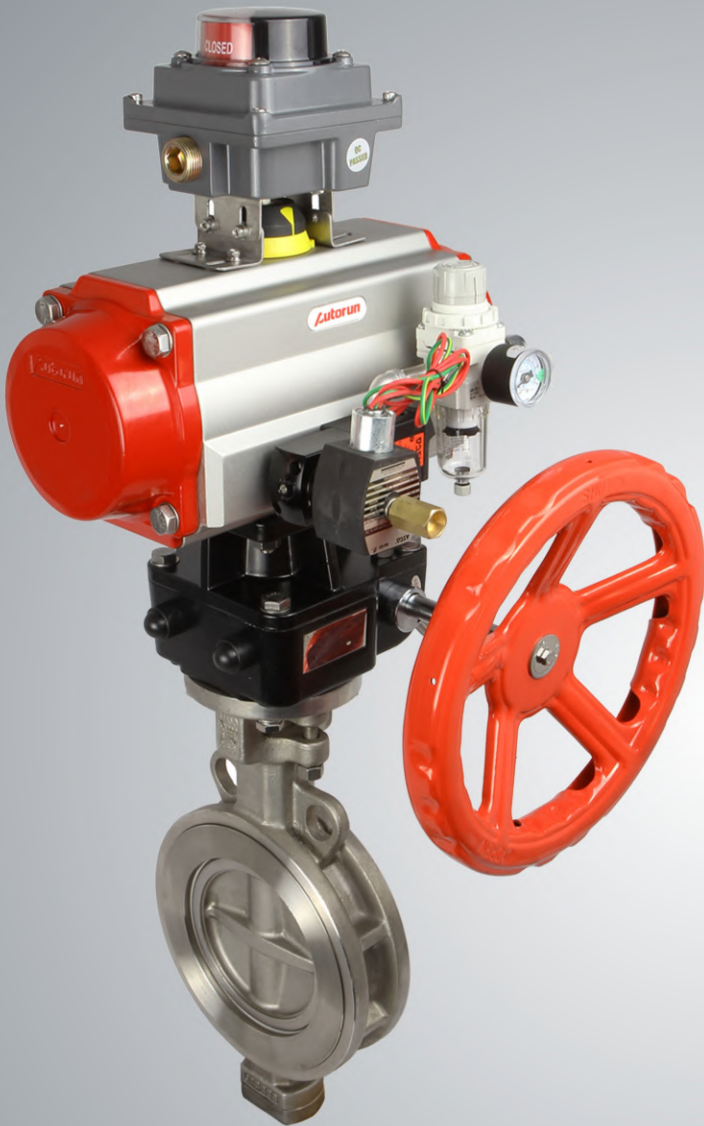


连接尺寸 connection size

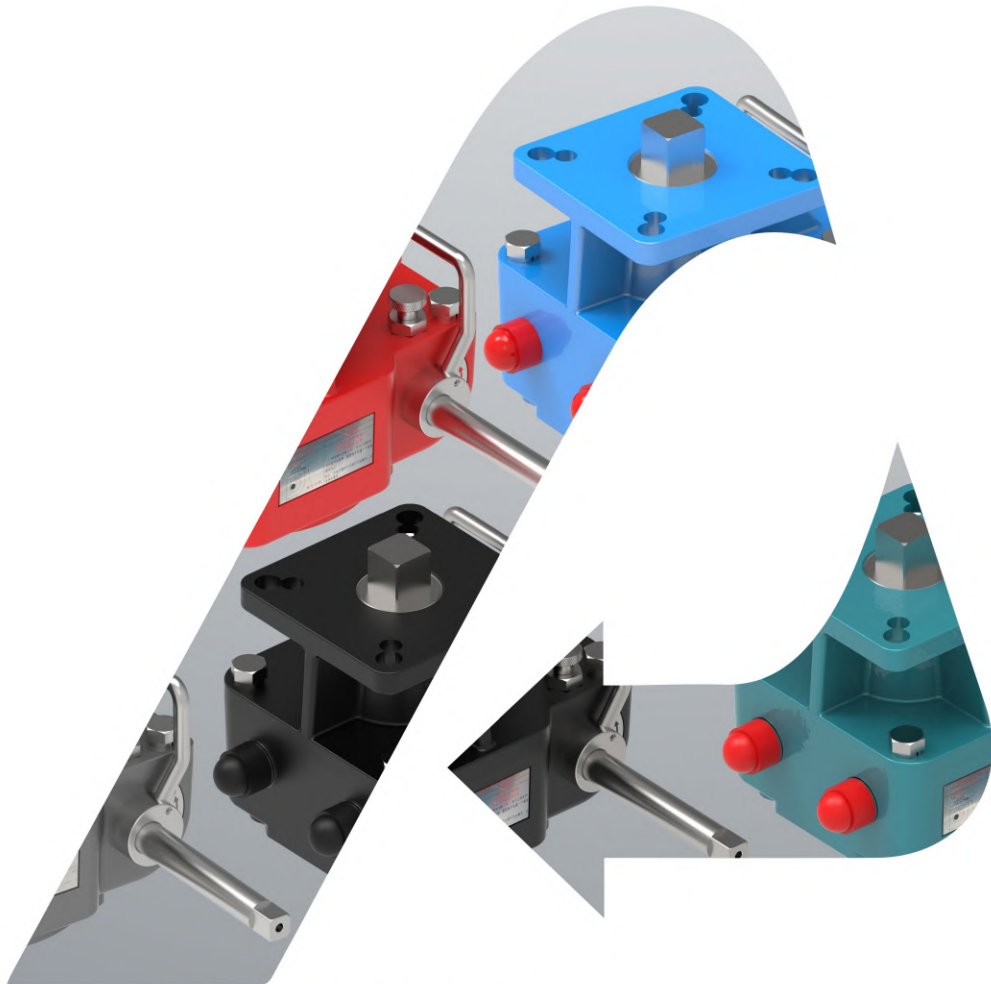
规格型号 Specification model	M-0	M-1	M-2	M-3	M-4	M-5	M-6	M-7
A	F07	F07	F10	F12	F14	F16	F16	F16
B	Ø57	Ø57	Ø70	Ø89	Ø108	Ø108	Ø159	Ø159
C	F05	F05	F07	F07/F10	F10/F12	F14	F14	Ø200
D	14*14	14*14	17*17	22*22	27*27	36*36	46*46	46*46
E	17	17	19	22	28	38	48	48
F	83	105	110	130	165	185	200	200
G	20	20	22	28	32	40	50	50
H	14*14	14*14	17*17	22*22	27*27	36*36	46*46	46*46
N	109	115	135	160	202	245	288	316
W	80	90	125	140	187	221	252.5	286.5
J	F07	F07	F10	F12	F14	F16	F16	F16
K	F05	F05	F07	F10	F10/F12	F14	/	Ø200
L	160	180	220	257	330	370	400	421
M	50	71	92	113	148	148	160	170
P	70	70	94	113	129	165	165	Ø235
Q	30	33	36	39	56	58.5	62	65
R	37	44	54	65	82	109	134	148
手轮外径 Hand wheel outer diameter	Ø140	Ø180	Ø200	Ø280	Ø320	Ø400	Ø500	Ø600
参考重量(kg) Reference weight(kg)	1	3	4.5	7	13.7	22	32.2	38

控制阀的运用

Use for control valve



◆ 表面环氧涂层接受不同颜色定制
Accept different color customization



Build A Quality

Autorun[®]

欧德隆控制阀有限公司

AUTORUN CONTROL VALVE CO.,LTD.

地址：浙江省永嘉县瓯北镇东瓯工业区五星大道 ADD:Wuxing Avenue Dongou Industrial Zone,Yongjia Zhejiang

Tel:86-0577-67968832 67968833 Fax:86-0577-67968831

<http://www.zkfmw.com> E-mail:richyoung@autorun.net.cn