

代理商(Agents)

PNEUMATIC ACTUATOR

气动执行器 双作用式AT-D型、单作用式AT-S型
AT-D TYPE DOUBLE-ACTION、AT-S TYPE SINGLE-ACTION



浙江欧德隆自控阀门有限公司
ZHEJIANG ODELO AUTOMATIC CONTROL VALVE CO.,LTD.
全国免费热线: 400 826 0661

地址: 浙江省永嘉县瓯北镇东瓯工业区五星大道
电话: 0577-67379755 67968832
传真: 0577-67379766 67968831
<http://www.zkfmw.com>
E-mail: info@zkfmw.com

Add: Wuxing avenue dongou industrial zone , Yongjia Zhejiang
Tel: 0577-67379755 67968832
Fax: 0577-67379766 67968831
<http://www.zkfmw.com>
E-mail: info@zkfmw.com



浙江欧德隆自控阀门有限公司
ZHEJIANG ODELO AUTOMATIC CONTROL VALVE CO.,LTD.



三位置气动执行器

三位置气动执行器有二种型号0°-45°-90°和0°-90°-180°，在气口“2”进气后活塞向两端运动被两端设计有辅助活塞产生机械限制来实现中间位置的，可直接利用外面两端调节螺栓很容易调节中间位置角度，如20°、30°、50°、75°和95°、120°、130°、150°、175°等。



Three position pneumatic actuator

Three position pneumatic actuator has two kinds of models 0°-45°-90° and 0°-90°-180°，the air intake "2" after the intake ends of the piston movement was designed to both ends there are auxiliary pistons produce mechanical constraints to achieve a middle position, can be used directly out of both ends of the adjusting screw is easy to adjust the middle point of view, such as 20°, 30°, 50°, 75° and 95°, 120°, 130°, 150°, 175° and so on.

工作原理

三位置气动执行器的操作需要设计一套电磁阀控制回路系统来完成操作，其控制原理如下：

Operating principles:

Three position pneumatic actuator requires the design of a solenoid valve control loop system to complete the operation, the control principle as follows:

位置1 (中间位置)

气源压力同时进入2口和D口，空气从4口和C口排出，2口作为内部活塞移动，D口是通过辅助活塞推杆限制内部活塞定位在预定的中间位置。

Position 1 (middle)

Air pressure at the same time and D into the two port, air from the exhaust port 4 and C, 2 as an internal piston, D mouth is by putting restrictions on secondary piston within the piston located in the middle of booking.

位置2 (全开位置)

气源压力同时进入2口和C口，空气从4口和D口排出，2口的内部活塞继续移动，C口为解除辅助活塞推杆限制定位，使内部活塞顺利到达全开位置。

Position 2 (open position)

Air pressure at the same time into two and the C port, air from the discharge port 4, and D, two of the internal piston to move, C auxiliary port for the lifting of restrictions on putting the piston position to reach the fully open position within the piston smoothly.

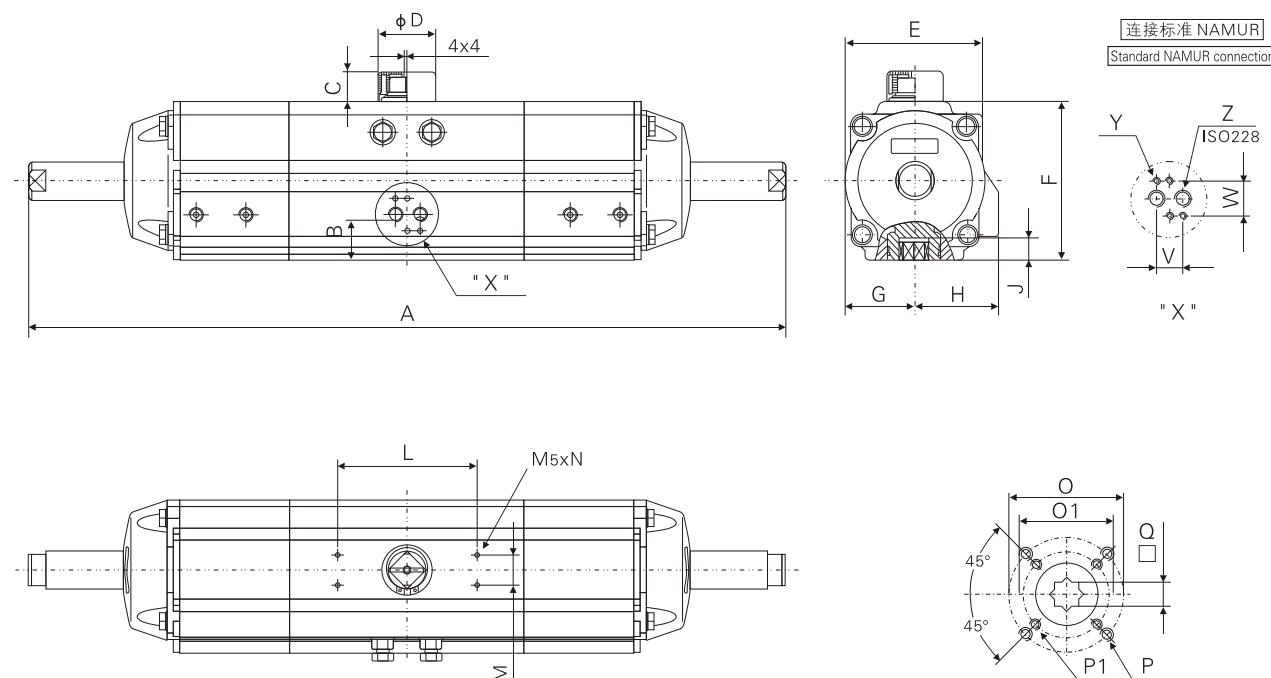
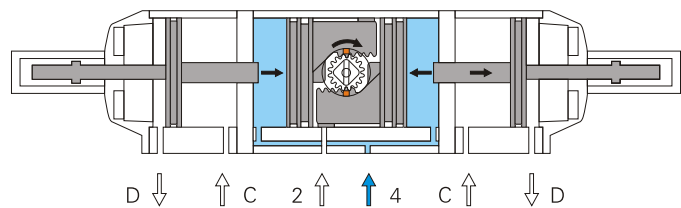
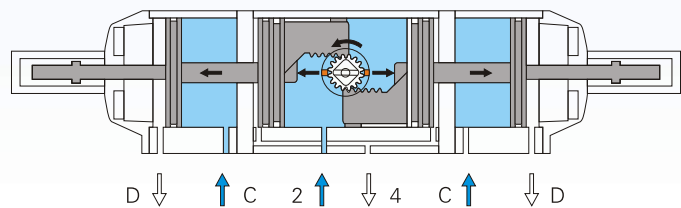
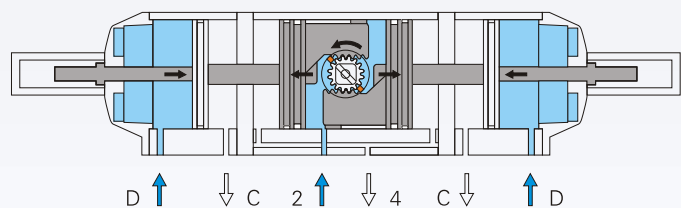
位置3 (全关位置)

气源压力进入4口，空气从2口排出，内部活塞向中间方向移动到全关位置。

可提供0°-45°-90° 弹簧回位型号规格，在断气断电时（或气源故障），通过弹簧迫使内部活塞回位到全关位置。

Position 3 (fully closed position)

Air pressure into four, the air discharged from the two, the internal piston moves to the middle reach the fully closed position. provides 0°-45°-90° spring return position type specification, when somebody stops breathing power(or gas source failure),an internal piston back by spring force to the fully closed position.



外形及连接尺寸 Dimensions and Connection

型号 Model	A		B	C	φd	E	F	G	H	J	L	M	N	O1	O	P1	P	□Q	V	W	Y	Z
	0°-45°-90°	0°-90°-180°																				
AT063	390	440	30	20	40	72	85	36	47	16	80	30	8	50	-	4-M6	-	14	24	32	M5x8	1/8"
AT075	480	570	30.5	20	40	84.5	102	42.5	52	16	80	30	8	50	70	4-M6	4-M8	14	24	32	M5x8	1/8"
AT100	600	710	37.5	20	40	111	127	56	67	19	80	30	8	70	102	4-M8	4-M10	17	24	32	M5x8	1/4"
AT125	720	910	45	30	56	136	157	69.5	82	24	80	30	8	70	102	4-M8	4-M10	22	24	32	M5x8	1/4"
AT160	915	1130	52	30	65	169	196	88	99	29	80	30	8	102	125	4-M10	4-M12	27	24	32	M5x8	1/4"
AT200	1155	1400	62.5	50	80	213	245	110	112	38	130	30	8	140	-	4-M16	-	36	24	32	M5x8	1/4"

双作用式输出扭矩(Nm) Double-acting type output torque (Nm)

执行器型号 Actuator Model	2.5bar	3.0bar	3.5bar	4.0bar	4.5bar	5.0bar	5.5bar	6.0bar	7.0bar	8.0bar
AT063D	14.7	17.6	20.5	23.5	26.4	29.3	32.2	35.2	41.0	46.9
AT075D	29.1	34.9	40.7	46.5	52.3	58.2	64.0	69.8	81.4	93.0
AT100D	66.5	79.7	93.0	106	120	133	146	160	186	213
AT125D	138	166	194	221	249	277	304	332	387	443
AT160D	283	340	397	453	510	567	623	680	793	907
AT200D	531	638	744	850	956	1063	1169	1275	1488	1700


0° -45° -90° 型单作用式输出扭矩 (弹簧复位) (Nm)
0° -45° -90° single-action output torque (spring return) (Nm)

执行器 型号 Actuator Model	弹簧 数量 Spring quantity	空气压力扭矩 Air Pressure Torque																弹簧复位 扭矩 Start End					
		2.5bar		3.0bar		3.5bar		4.0bar		4.5bar		5.0bar		5.5bar		6.0bar				7.0bar		8.0bar	
		0° 开始 Start	90° 结束 End	0° 开始 Start	90° 结束 End	0° 开始 Start	90° 结束 End	0° 开始 Start	90° 结束 End	0° 开始 Start	90° 结束 End	0° 开始 Start	90° 结束 End	0° 开始 Start	90° 结束 End	0° 开始 Start	90° 结束 End			0° 开始 Start	90° 结束 End	0° 开始 Start	90° 结束 End
AT063S	05	9.1	6.2	12	9.1	15	12	17.9	15	20.8	17.9	23.7	20.8								8.5	5.5	
	06	8	4.5	10.9	7.4	13.8	10.3	16.8	13.3	19.7	16.2	22.6	19.1	25.6	22.1						10.2	6.7	
	07			9.8	5.7	12.7	8.7	15.7	11.6	18.6	14.5	21.5	17.4	24.5	20.4	27.4	23.3				11.8	7.8	
	08					11.6	7	14.6	9.9	17.5	12.8	20.4	15.8	23.3	18.7	26.3	21.6	32.1	27.5			13.5	8.9
	09							13.4	8.2	16.4	11.1	19.3	14.1	22.2	17	25.2	19.9	31	25.8	36.9	31.6	15.2	10
	10									15.3	9.4	18.2	12.4	21.1	15.3	24.1	18.2	29.9	24.1	35.8	29.9	16.9	11.1
	11											17.1	10.7	20	13.6	22.9	16.5	28.8	22.4	34.7	28.2	18.6	12.2
AT075S	05	18	11.7	23.8	17.6	29.6	23.4	35.4	29.2	41.2	35	47.1	40.8								17.3	11.1	
	06	15.8	8.3	21.6	14.1	27.4	19.9	33.2	25.7	39	31.5	44.8	37.3	50.7	43.2						20.8	13.3	
	07			19.4	10.6	25.2	16.4	31	22.3	36.8	28.1	42.6	33.9	48.4	39.7	54.3	45.5				24.2	15.5	
	08					23	13	28.8	18.8	34.6	24.6	40.4	30.4	46.2	36.2	52	42	63.7	53.7			27.7	17.7
	09							26.6	15.3	32.4	21.1	38.2	27	44	32.8	49.8	38.6	61.5	50.2	73.1	61.8	31.1	19.9
	10									30.2	17.7	36	23.5	41.8	29.3	47.6	35.1	59.2	46.7	70.9	58.4	34.6	22.1
	11											33.8	20	39.6	25.8	45.4	31.7	57	43.3	68.7	54.9	38.1	24.3
AT100S	05	41.1	27	54.4	40.3	67.7	53.6	81	66.8	94.2	80.1	108	93.4								39.4	25.3	
	06	36.1	19.1	49.3	32.4	62.6	45.7	75.9	58.9	89.2	72.2	103	85.5	116	98.8							47.3	30.4
	07			44.3	24.5	57.6	37.8	70.8	51.1	84.1	64.3	97.4	77.6	111	90.9	124	104					55.2	35.4
	08					52.5	29.9	65.8	43.2	79.1	56.5	92.3	69.7	106	83	119	96.3	146	123			63.1	40.5
	09							60.7	35.3	74	48.6	87.3	61.9	101	75.1	114	88.4	140	115	167	142	71	45.5
	10									68.9	40.7	82.2	54	95.5	67.3	109	80.5	135	107	162	134	78.8	50.6
	11											77.2	46.1	90.5	59.4	104	72.7	130	99	157	126	86.7	55.6
AT125S	05	85.9	55.9	114	84	141	111	169	139	197	167	224	194								82.5	52.5	
	06	75.4	39.4	103	67	131	95	158	122	186	150	214	178	241	205							98.9	62.9
	07			92.6	50.6	120	78	148	106	176	134	203	161	231	189	259	217					115	73.4
	08					110	62	137	89.4	165	117	193	145	221	173	248	200	304	256			132	83.9
	09							127	72.9	155	101	182	128	210	156	238	184	293	239	348	294	148	94.4
	10									144	84	172	112	200	140	227	167	283	223	338	278	165	105
	11											161	95.3	189	123	217	151	272	206	327	261	181	115
AT160S	05	171	117	228	174	285	231	341	287	398	344	455	401								166	112	
	06	149	84	206	141	262	197	319	254	376	311	432	367	489	424							199	135
	07			183	108	240	164	296	221	353	278	410	334	466	391	523	448					233	157
	08					217	131	274	188	331	244	387	301	444	358	501	414	614	528			266	179
	09							252	154	308	211	365	268	422	324	478	381	592	494	705	608	299	202
	10									286	178	343	235	399	291	456	348	569	461	683	575	332	224
	11											320	201	377	258	433	315	547	428	660	541	365	247
AT200S	05	319	216	425	323	532	429	638	535	744	641	850	748								315	212	
	06	277	153	383	260	489	366	595	472	702	578	808	685	914	791							378	255
	07			340	197	447	303	553	409	659	515	765	622	872	728	978	834					441	297
	08					404	240	510	346	617	452	723	559	829	665	935	771	1148	984			504	340
	09							468	283	574	389	680	496	787	602	893	708	1105	921	1318	1133	567	382
	10									532	326	638	433	744	539	850	645	1063	858	1275	1070	630	425
	11											595	370	702	476	808	582	1020	795	1233	1007	693	467
12											659	413	766	519	872	665	1087	860	1300	1077	756	510	

空气压力扭矩下列加黑部份为推荐数值, 和弹簧复位扭矩的数值及弹簧数量相对应。
 The following additional air pressure torque values recommended by the black majority, and spring return torque values and the corresponding number of spring.

可配符合VID/VIE3845、NAMUR 标准的电磁阀
 It's applicable for the solenoid valve that is in line with VID/VIE3845 and NAMUR standards.



可配符合VID/VIE3845、NAMUR 标准的限位开关
 It's applicable for the limit switch that is in line with VID/VIE3845 and NAMUR standards.



可配符合VID/VIE3845 标准的定位器
 It's applicable for the valve positioner that is in line with VID/VIE3845 standard.



可配手操离合器
 It's applicable for the manual clutch.



气动球阀
 Pneumatic ball valve
 气动蝶阀
 Pneumatic butterfly valve

