

代理商(Agents)

# PNEUMATIC ACTUATOR

气动执行器 双作用式AT-D型、单作用式AT-S型  
AT-D TYPE DOUBLE-ACTION、AT-S TYPE SINGLE-ACTION



浙江欧德隆自控阀门有限公司  
ZHEJIANG ODELO AUTOMATIC CONTROL VALVE CO.,LTD.  
全国免费热线: 400 826 0661

地址: 浙江省永嘉县瓯北镇东瓯工业区五星大道  
电话: 0577-67379755 67968832  
传真: 0577-67379766 67968831  
<http://www.zkfmw.com>  
E-mail: [info@zkfmw.com](mailto:info@zkfmw.com)

Add: Wuxing avenue dongou industrial zone , Yongjia Zhejiang  
Tel: 0577-67379755 67968832  
Fax: 0577-67379766 67968831  
<http://www.zkfmw.com>  
E-mail: [info@zkfmw.com](mailto:info@zkfmw.com)

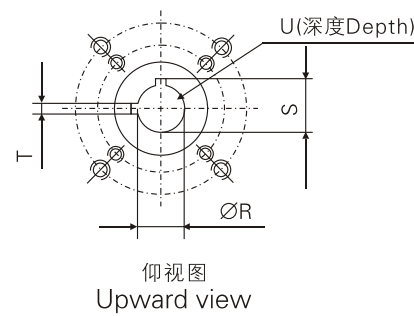
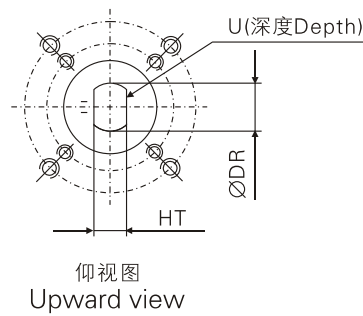


浙江欧德隆自控阀门有限公司  
ZHEJIANG ODELO AUTOMATIC CONTROL VALVE CO.,LTD.


**输出孔连接尺寸 (定制) Hole connecting the output size (custom) (mm)**

H: 平行对边 Parallel to the edge

W: 二个键槽 2keyway

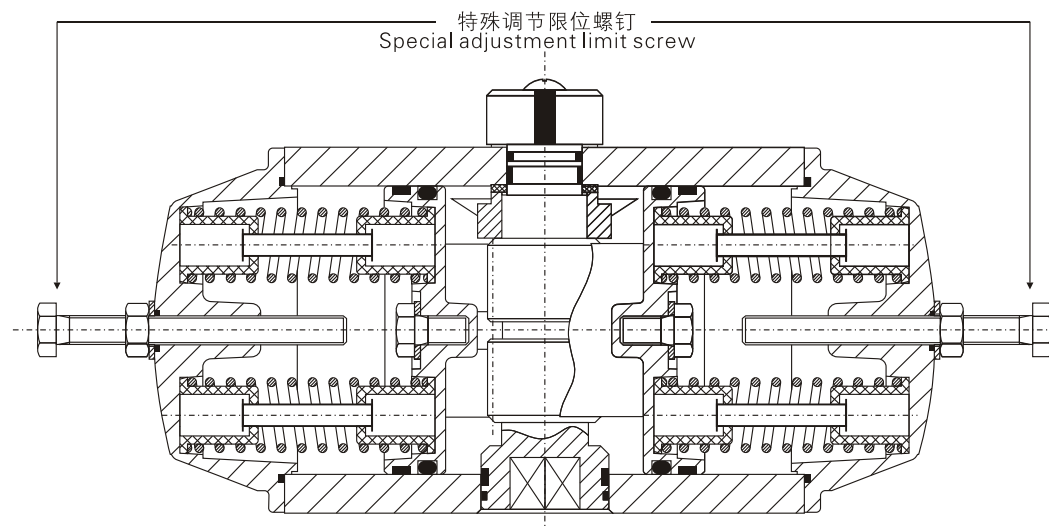
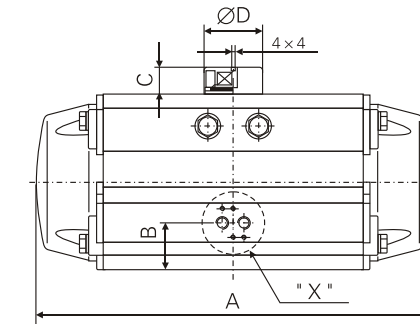
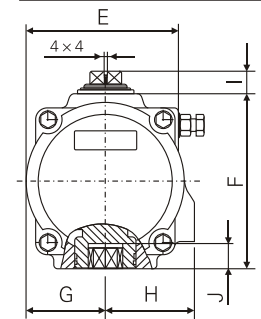
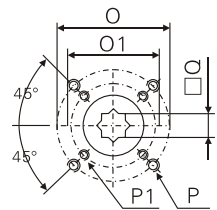
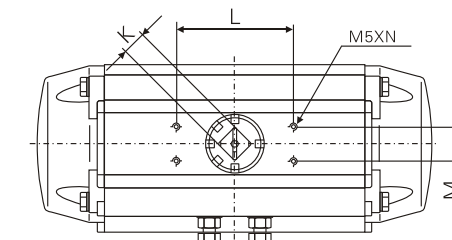
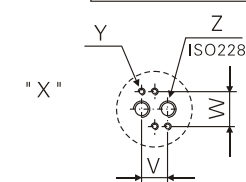

 注: 可根据客户尺寸规格定制制造  
 Note: Custom sizes can be manufactured according to customer

型号 Model	AT050	AT063	AT075	AT088	AT100	AT115	AT125	AT145	AT160	AT180	AT200	AT240	AT265	AT330
D/S														
φR	12.7	12.7	12.7	15.88	19.05	22.23	22.23	28.58	28.58	31.75	31.75	33.34	38.1	41.28
S	14.2	14.2	14.2	18.4	21.6	24.8	24.8	32.1	32.1	35.3	35.3	37.4	42.4	45.3
T	3	3	5	5	5	5	5	8	8	8	8	10	10	12
U	32	32	32	32	32	45	45	45	45	45	45	51	51	65
φDR	13	13	13	16.1	19.2	22.4	22.4	28.8	28.8	32	32	33.6	38.4	41.5
HT	10	10	10	12	14	17	17	22	22	24	24	27	27	32

**全行程调节限位执行器  
Full stroke adjustment limit actuator**

新型气动执行器在两端提供特殊调节限位螺钉, 客户可根据需要调节0° -90°、0° -120° 或0° -180° 范围内任意角度, 在所有系列执行器上都可进行全行程调节。

New pneumatic actuator to provide special regulation limit at both ends of the screw, the customer can be adjusted according to 0° -90°, 0° -120° or 0° -180° range of any angle, in all series actuators can be carried out on Full stroke adjustment.


**120° /180° 行程执行器的外形及连接尺寸 (双作用)  
120° / 180° Stroke actuator and Connection Dimensions (double acting)**

 连接标准 ISO5211/VDI/VDE3845  
 Connection standard ISO5211/VDI/VDE3845

 连接标准 NAMUR  
 Standard NAMUR connection


1、根据需要可提供其他型号规格执行器。

1, according to specifications required to provide other types of actuator.

2、可提供不同行程的执行器, 如140° /160° 行程等。

型号 Model	AT050	AT063	AT075	AT088	AT100	AT115	AT125	AT145	AT160	AT180	AT200	AT240	AT265	AT330
D/S														
ISOflange	-	F05	F05-7	-	F07-10	-	F07-10	-	F10-12	-	F14	-	-	-
A(120°)	-	183	243	-	309	-	397	-	504	-	622	-	-	-
A(180°)	-	225	305	-	385	-	498	-	630	-	775	-	-	-
B	-	30	30.5	-	37.5	-	45	-	52	-	62.5	-	-	-
C	-	20	20	-	20	-	30	-	30	-	50	-	-	-
ØD	-	40	40	-	40	-	56	-	65	-	80	-	-	-
E	-	72	84.5	-	111	-	136	-	169	-	213	-	-	-
F	-	85	102	-	127	-	157	-	196	-	245	-	-	-
G	-	36	42.5	-	56	-	69.5	-	88	-	110	-	-	-
H	-	47	52	-	67	-	82	-	99	-	112	-	-	-
I	-	14.5	14.5	-	14.5	-	24.5	-	24.5	-	44.5	-	-	-
Jmim	-	16	16	-	19	-	24	-	29	-	38	-	-	-
K	-	11	17	-	17	-	27	-	27	-	36	-	-	-
L	-	80	80	-	80	-	80	-	80	-	130	-	-	-
M	-	30	30	-	30	-	30	-	30	-	30	-	-	-
N	-	8	8	-	8	-	8	-	8	-	8	-	-	-
ØO1	-	50	50	-	70	-	70	-	102	-	140	-	-	-
ØO	-	-	70	-	102	-	102	-	125	-	-	-	-	-
P1	-	4-M6	4-M6	-	4-M8	-	4-M8	-	4-M10	-	4-M16	-	-	-
P	-	-	4-M8	-	4-M10	-	4-M10	-	4-M12	-	-	-	-	-
□Q	-	14	14	-	17	-	22	-	27	-	36	-	-	-
ØR	-	-	-	-	-	-	-	-	-	-	-	-	-	-
S	-	-	-	-	-	-	-	-	-	-	-	-	-	-
T	-	-	-	-	-	-	-	-	-	-	-	-	-	-
U	-	-	-	-	-	-	-	-	-	-	-	-	-	-
V	-	24	24	-	24	-	24	-	24	-	24	-	-	-
W	-	32	32	-	32	-	32	-	32	-	32	-	-	-
Y	-	M5×8	M5×8	-	M5×8	-	M5×8	-	M5×8	-	M5×8	-	-	-
Z	-	1/8"	1/8"	-	1/4"	-	1/4"	-	1/4"	-	1/4"	-	-	-